

Model CCDM Series

Compression Load Cell (10t ~ 300t)
Canister Type

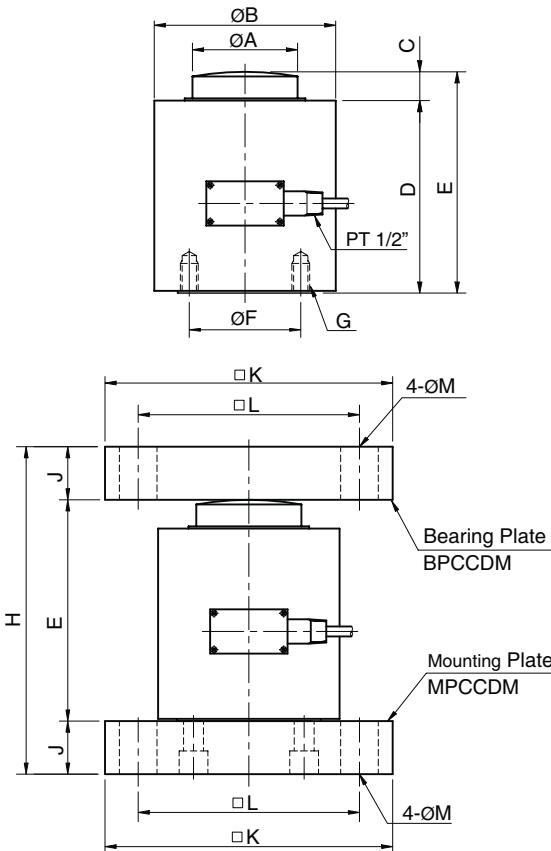


The CCDM series of single column, low profile and compact, hermetically sealed design provides small deflection(0.2mm Max) and trouble-free operation. These load cells designed for rugged industrial use as compression load cell and meet the needs of low cost weighing and force measurement systems.

- Insensitive to side load
- Robust high capacity design
- High alloy steel construction

SPECIFICATIONS

MODEL	CCDM
Rated capacity (R.C.)	10, 20, 30, 50, 100, 200, 300t
Rated output(R.O.)	1.5mV/V ± 0.5%
Non-linearity	≤0.1% R.O.
Hysteresis	≤0.1% R.O.
Non-repeatability	≤0.1% R.O.
Creep error	≤0.1% in 20min.
Zero balance	±1% R.O.
Compensated temperature range	-10 ~ 70°C
Operating temperature range	-20 ~ 80°C
Temp. effect on rated output	≤0.03% LOAD/10°C
Temp. effect on zero balance	≤0.03% R.O./10°C
Terminal input resistance	350 Ohms ± 3.5 Ohms
Terminal output resistance	350 Ohms ± 5 Ohms
Insulation resistance (Min.)	2000 MOhms at 50V DC
Excitation voltage	10V(Recommended), 15V(Max.)
Electrical connection	Ø9mmx5m(22AWG x 4Core Shielded)
Protection class	meets IP 67
Safe overload	150% R.C
Ultimate overload	300% R.C

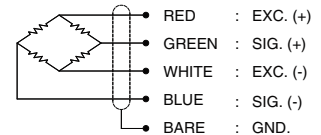


ORDERING INFORMATION

CCDM - 10T

MODEL: CCDM CAPACITY: 10, 20, 30, 50, 100, 200, 300 ton

WIRING INFORMATION



Dimension-mm

Rated Capacity	A	B	C	D	E	F	G	H	J	K	L	M	Bearing Plate	Mounting Plate	Weight (kg)
10t (98.07 kN)	32	88.5	13.5	116.5	130	60	4-M10x1.5P Depth 12	180	25	150	106	22	BPCCDM1	MPCCDM1	3.0
20t (196.1 kN)	32	88.5	13.5	116.5	130	60	4-M10x1.5P Depth 12	180	25	150	106	22	BPCCDM1	MPCCDM1	3.3
30t (294.2 kN)	32	88.5	13.5	116.5	130	60	4-M10x1.5P Depth 12	180	25	150	106	22	BPCCDM1	MPCCDM1	3.5
50t (490.3 kN)	55	88.5	20	136	156	60	4-M10x1.5P Depth 12	206	25	200	148	26	BPCCDM2	MPCCDM2	4.7
100t (980.7 kN)	55	164	20	180	200	90	4-M14x2P Depth 20	280	40	260	200	26	BPCCDM3	MPCCDM3	14.3
200t (1961 kN)	95	164	20	180	200	100	6-M16x2P Depth 20	300	50	260	200	33	BPCCDM4	MPCCDM4	18.3
300t (2942 kN)	95	164	20	230	250	100	6-M20x2.5P Depth 35	350	50	260	200	33	BPCCDM4	MPCCDM4	27.9

* Specifications are subject to change without notice

JAN, 2010